

For reference only. See data sheet for the detailed specifications.

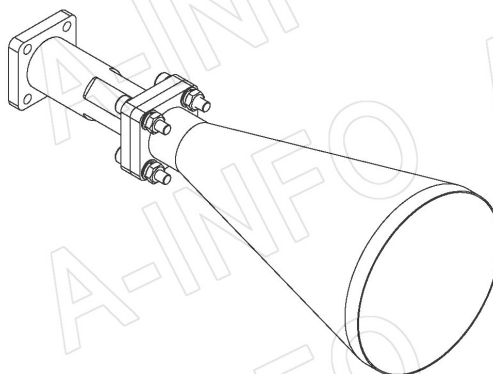
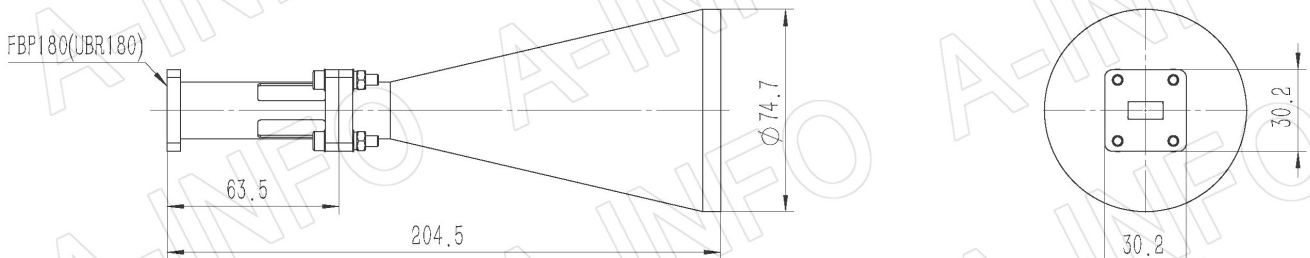
Technical Specification



Frequency Range(GHz)	15.0 – 22.0
Waveguide	WR51
Gain(dBi)	20 Typ.
Polarization	Linear
3dB Beamwidth(deg)	E Plane: 13 Typ.
	H Plane: 16 Typ.
Cross Pol. Isolation(dB)	45 Typ.
VSWR	A Type: 1.20:1 Max.
	C Type: 1.40:1 Max.
Output	A Type: FBP180(UBR180)
	C Type: SMA-Female
Material	Al
Finish	Sliver Plated, Gray Paint
Size(mm)	A Type: 74.7 x 74.7 x 204.5
	C Type: 74.7 x 74.7 x 231.5
Net Weight(Kg)	A Type: 0.20 Around
	C Type: 0.30 Around

Outline Drawing (Size: mm)

FBP180 Output (P/N:LB-CNH-51-20-A)



AINFO Inc.

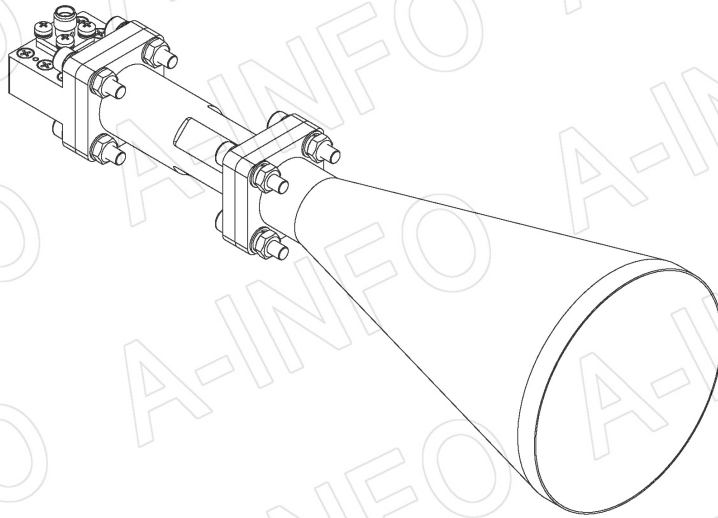
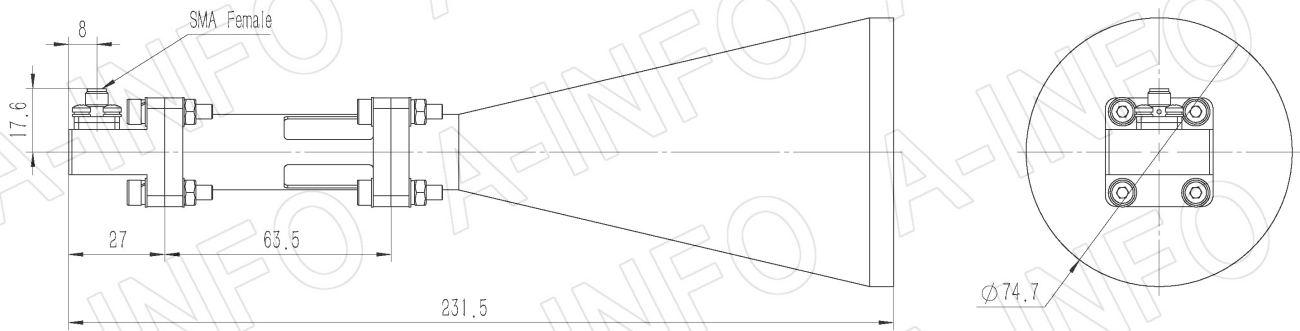
China(Beijing): Tel: (+86) 10-6266-7326,
China(Chengdu): Tel: (+86) 28-8519-2786,
USA: Tel: (+1) 949-639-9688,

Page 1 of 9

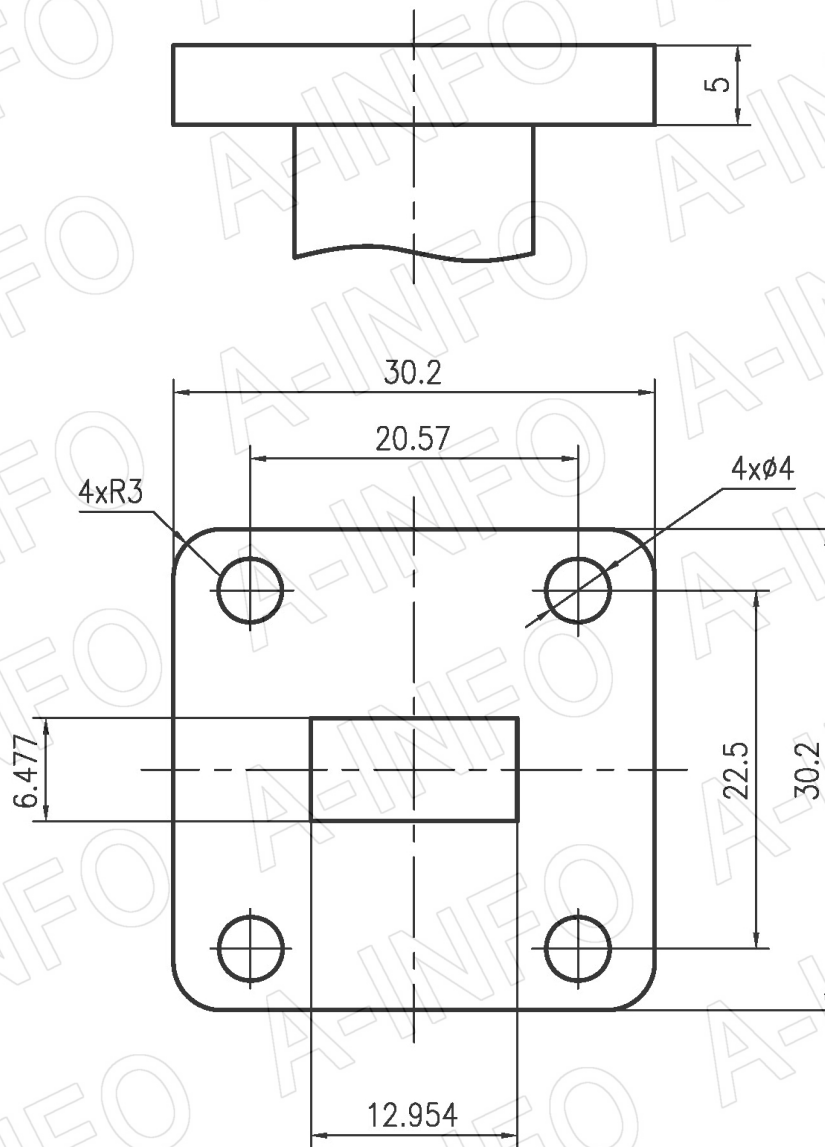
(+86) 10-6266-7327 Fax: (+86) 10-6266-7379
(+86) 28-8519-3044 Fax: (+86) 28-8519-3068
(+1) 949-639-9608 Fax: (+1) 949-639-9670

Website: www.ainfoinc.com
Email: sales@ainfoinc.com

SMA-Female Output (P/N:LB-CN-51-20-C-SF)



Flange Drawing (Size: mm)



FBP180

AINFO Inc.

China(Beijing): Tel: (+86) 10-6266-7326,
China(Chengdu): Tel: (+86) 28-8519-2786,
USA : Tel: (+1) 949-639-9688,

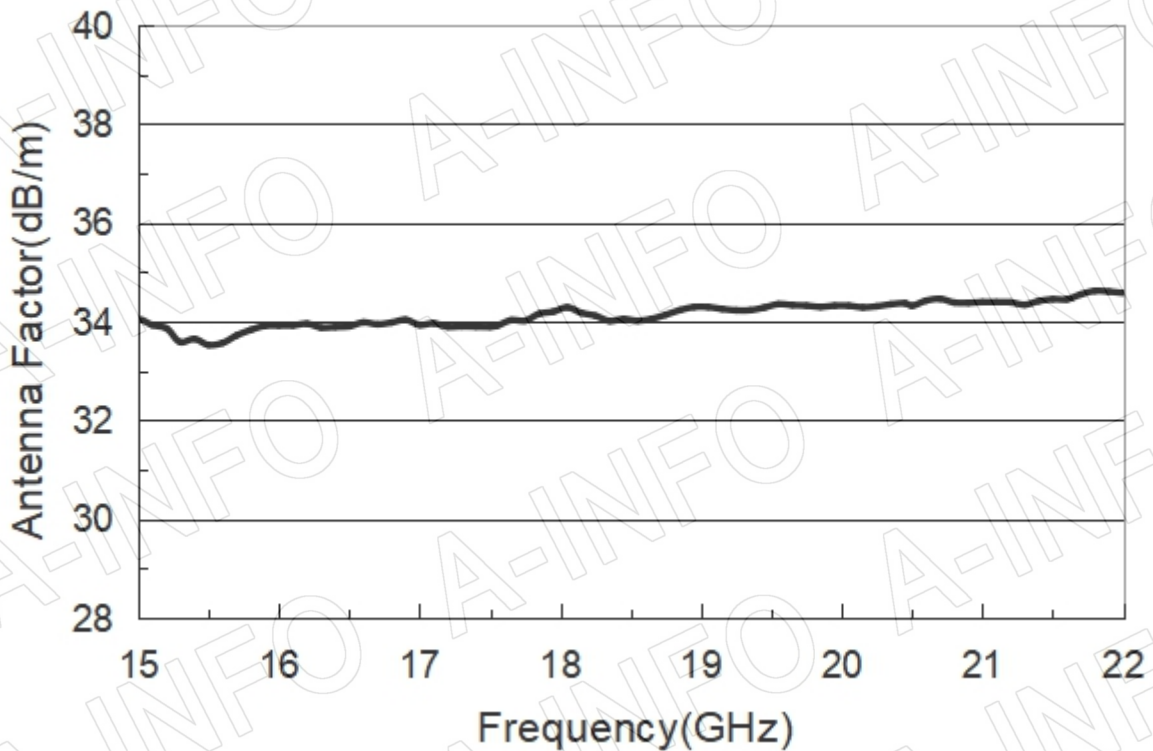
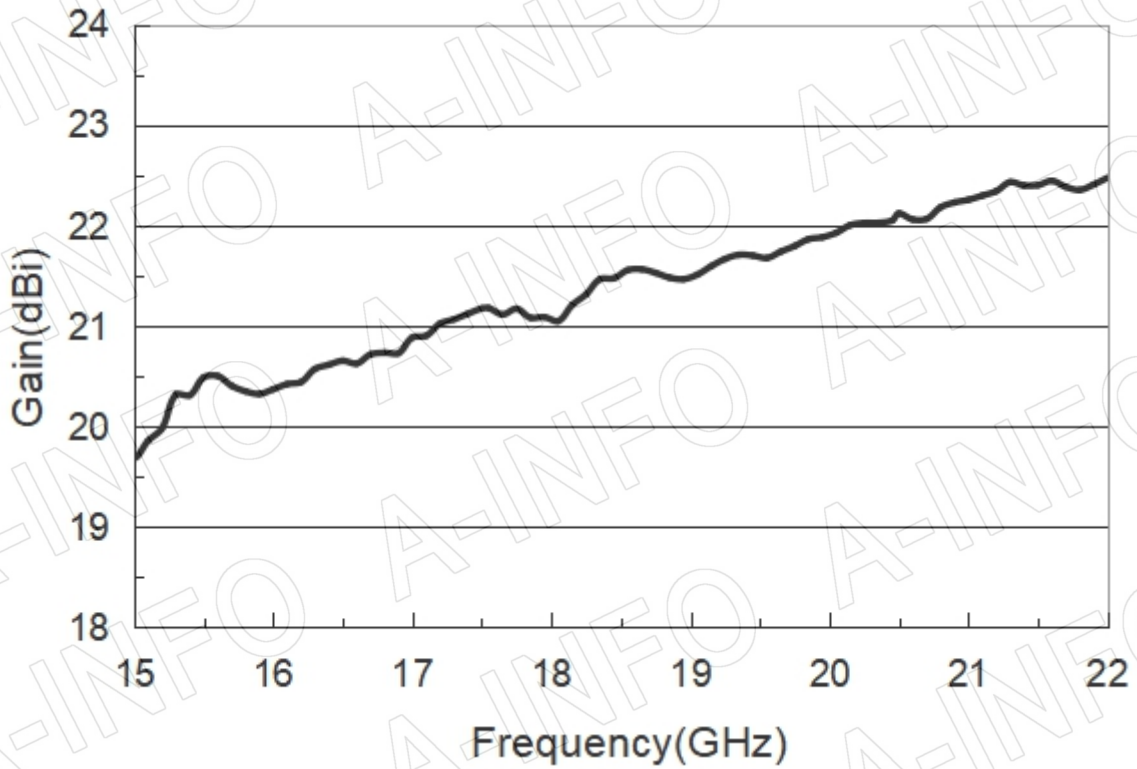
Page 3 of 9

(+86) 10-6266-7327 Fax: (+86) 10-6266-7379
(+86) 28-8519-3044 Fax: (+86) 28-8519-3068
(+1) 949-639-9608 Fax: (+1) 949-639-9670

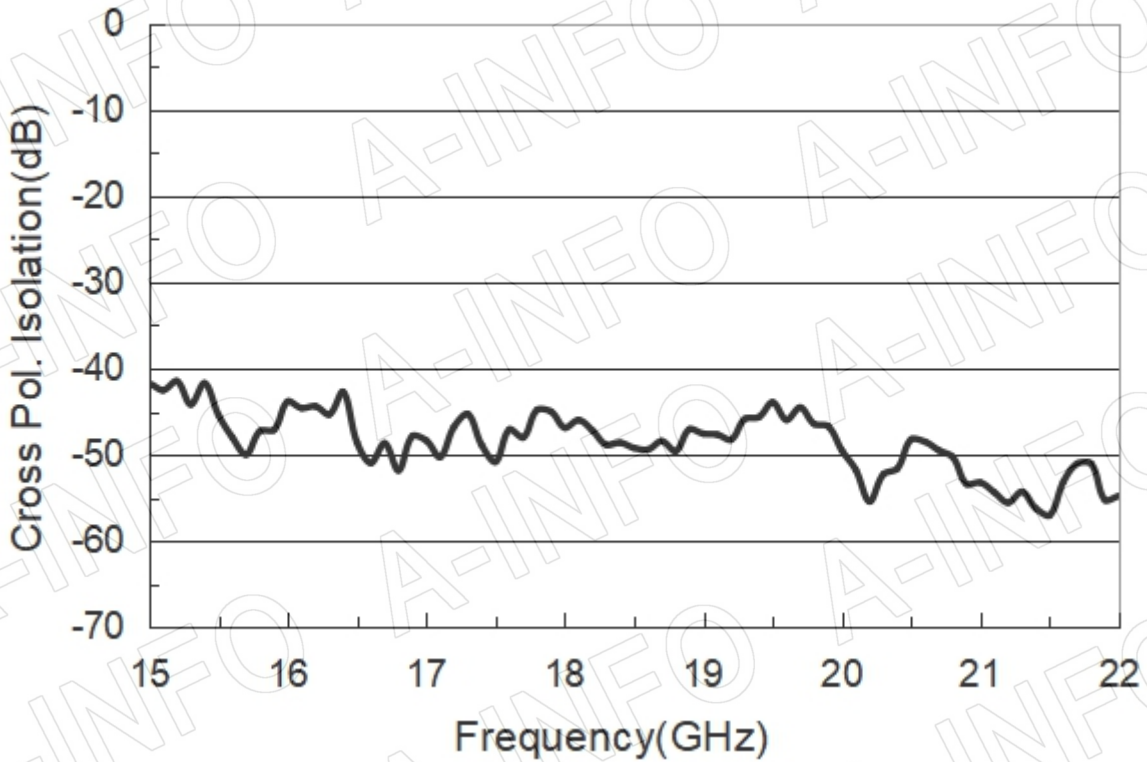
Website: www.ainfoinc.com
Email: sales@ainfoinc.com

Test Results

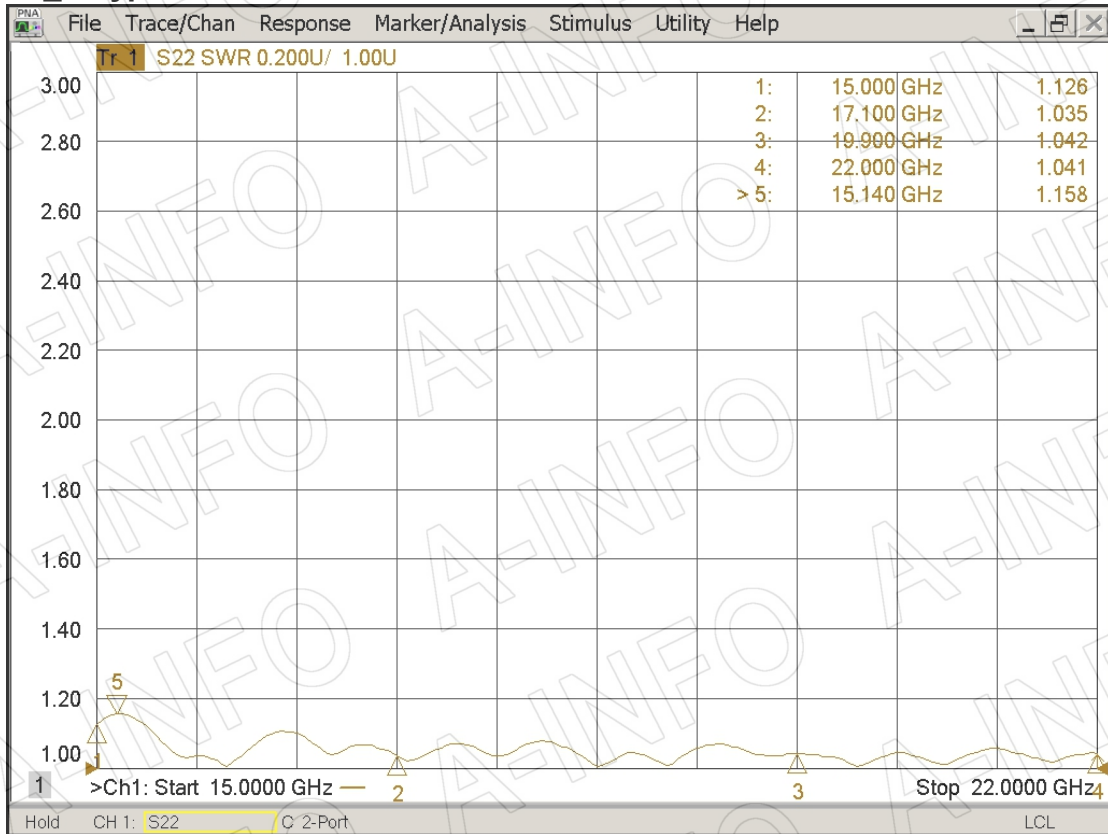
1. Gain & Antenna Factor



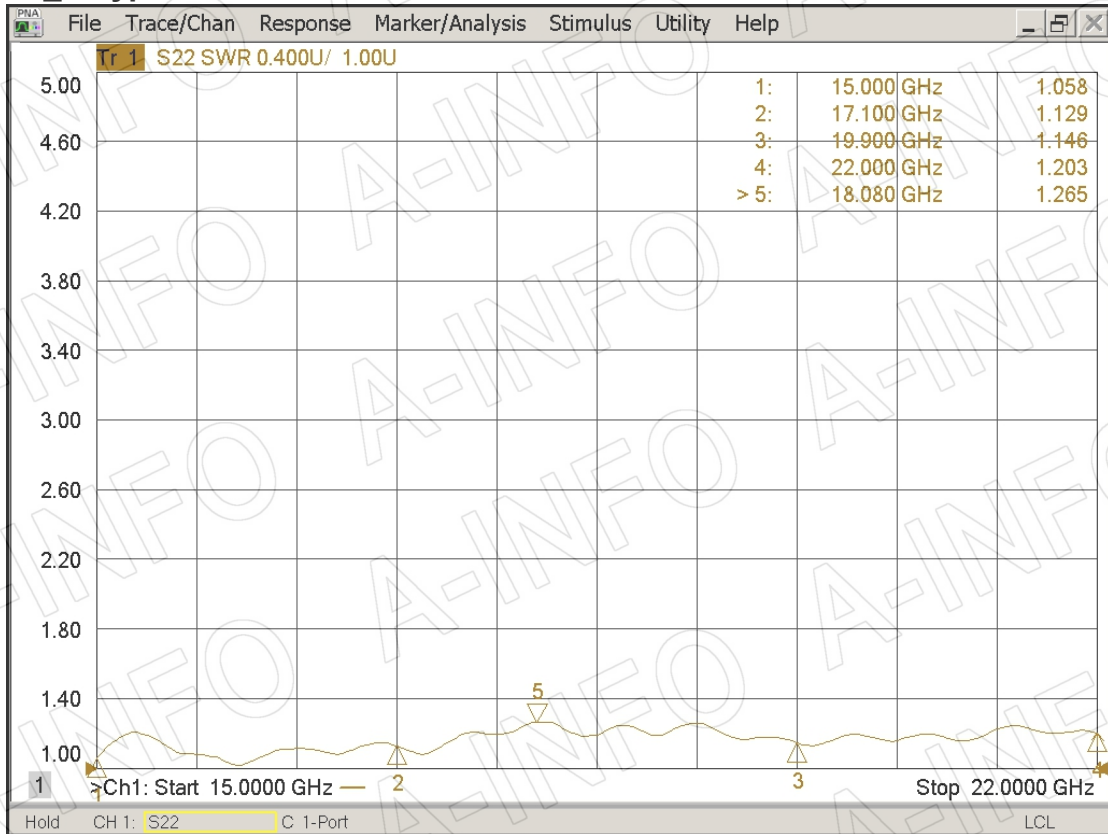
2. Cross Polarization Isolation



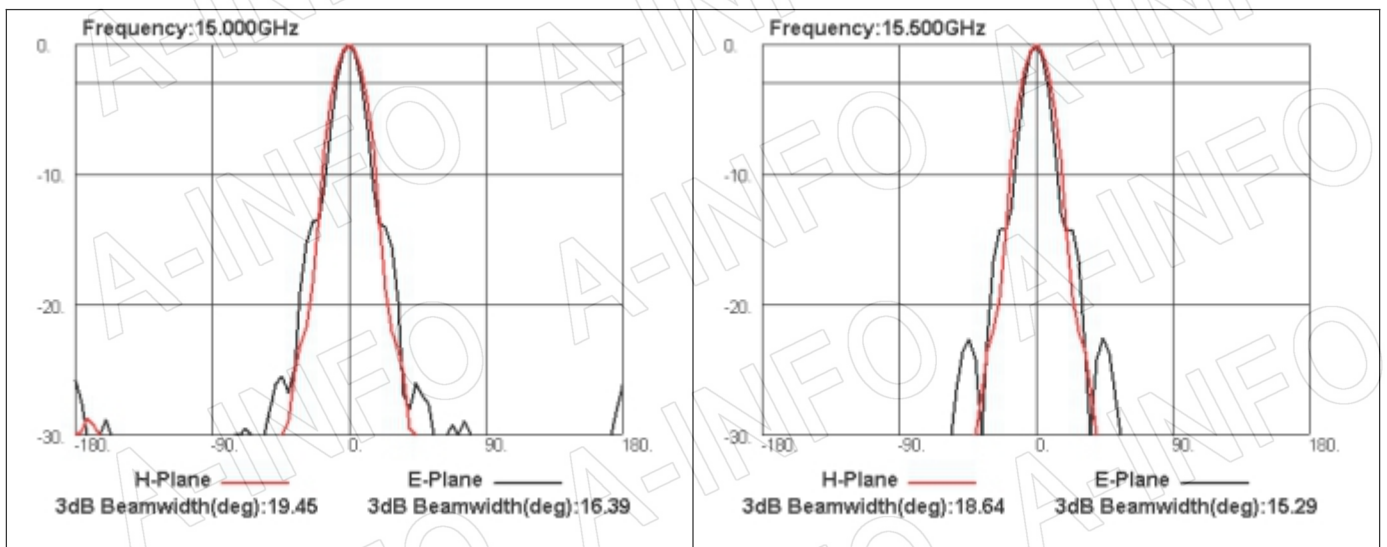
3. VSWR_A Type



VSWR_C Type



4. Pattern



AINFO Inc.

China(Beijing): Tel: (+86) 10-6266-7326,
China(Chengdu): Tel: (+86) 28-8519-2786,
USA: Tel: (+1) 949-639-9688,

Page 6 of 9

(+86) 10-6266-7327 Fax: (+86) 10-6266-7379
(+86) 28-8519-3044 Fax: (+86) 28-8519-3068
(+1) 949-639-9608 Fax: (+1) 949-639-9670

Website: www.ainfoinc.com
Email: sales@ainfoinc.com

